
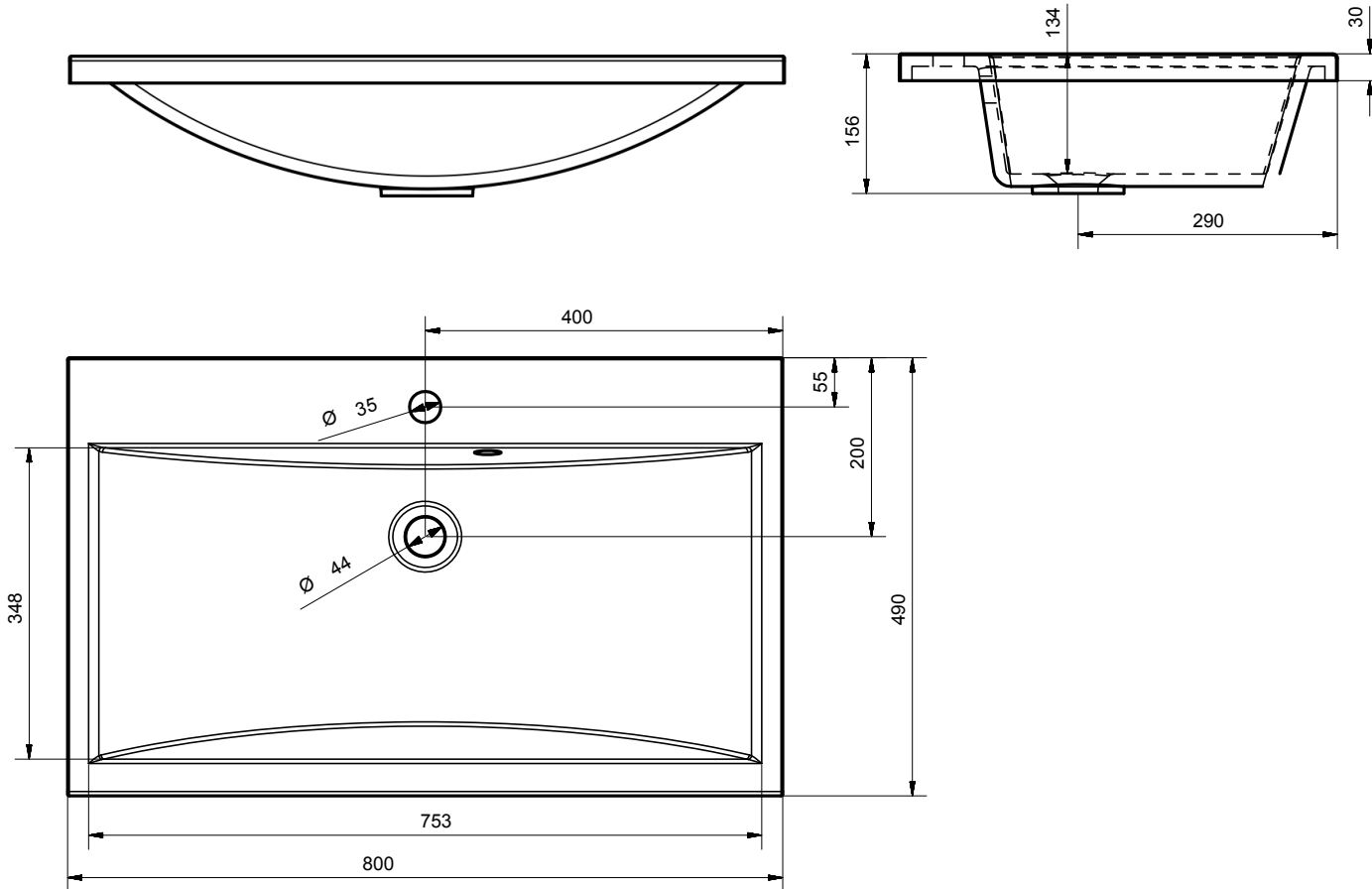



DRAWN				
CHECKED				
QA		TITLE Kandi-A Sink		
APPROVED				
		SIZE	DWG NO	REV
		C		
		SCALE		SHEET 1 OF 1



DRAWN		 Kandi-B Sink		
CHECKED				
QA				
APPROVED				
		SIZE	DWG NO	REV
		C		
		SCALE		SHEET 1 OF 1